

8 7 6 5 4 3 2

D

D

C

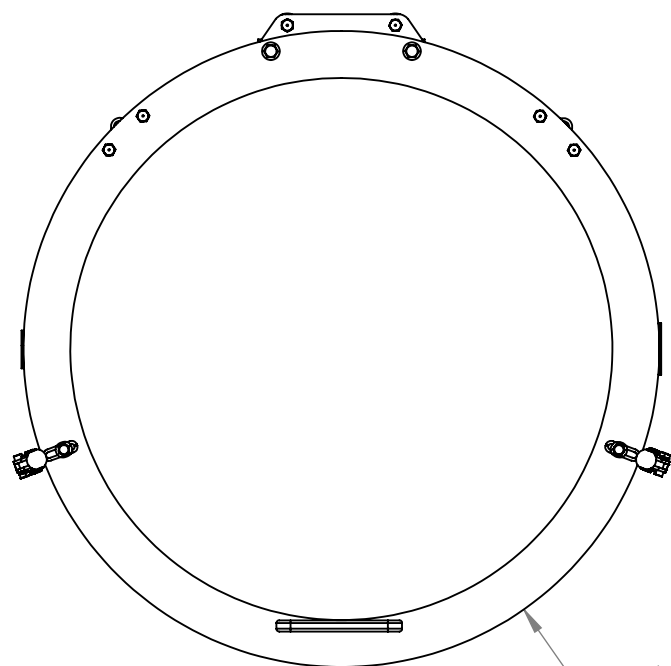
C

B

B

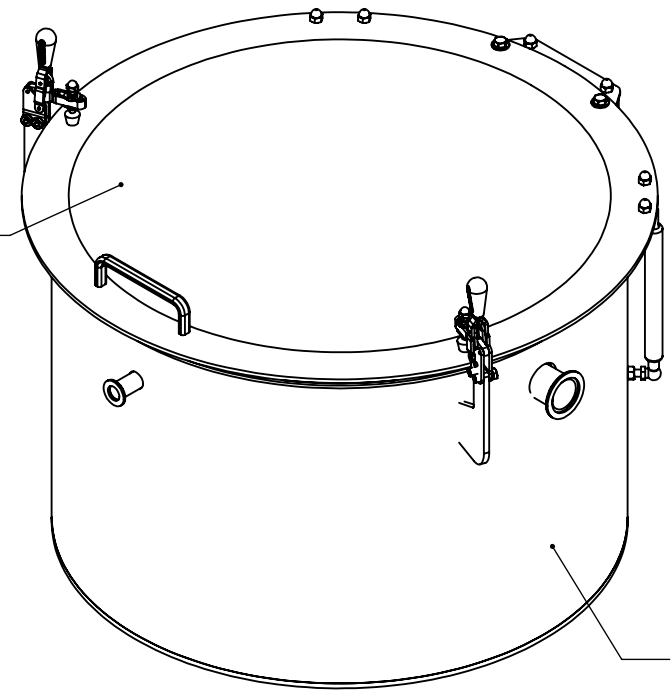
A

A



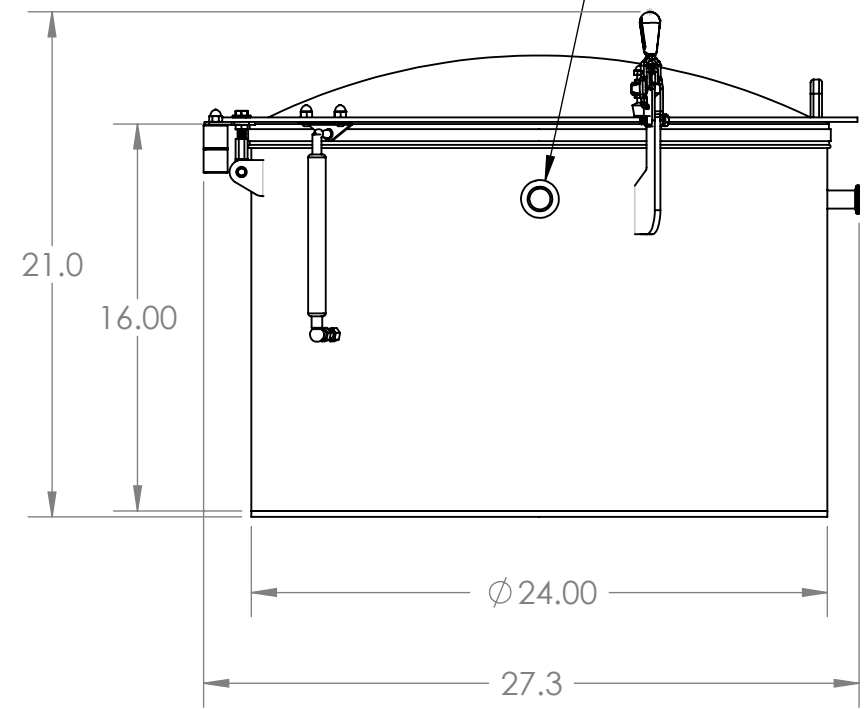
STAINLESS STEEL  
HINGED LID

Ø 26.50

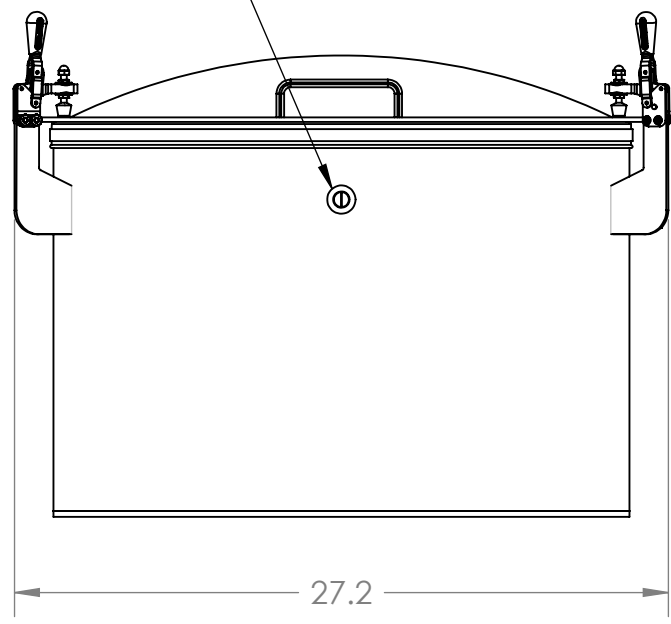


STAINLESS  
STEEL BODY

NW25  
VENT PORT

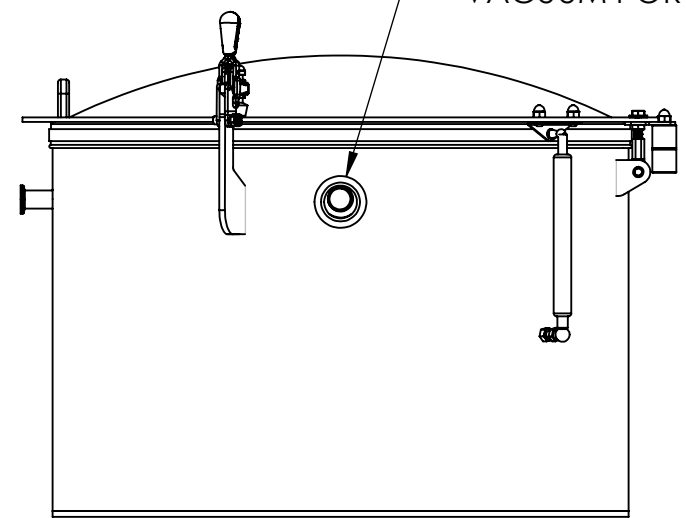


NW16  
VACUUM GAUGE



27.2

NW40  
VACUUM PORT



**PROPRIETARY AND CONFIDENTIAL**  
THE INFORMATION CONTAINED IN THIS DRAWING IS THE SOLE PROPERTY OF LACO TECHNOLOGIES, INC. ANY REPRODUCTION IN PART OR AS A WHOLE WITHOUT THE WRITTEN PERMISSION OF LACO TECHNOLOGIES, INC., IS PROHIBITED.

	NAME	DATE
DRAWN	CSG	02/17/09
DESIGNED	CSG	02/17/09
CHECKED	MEC	02/17/09
ENG APPR.	MEC	02/17/09

**UNLESS OTHERWISE SPECIFIED:**  
DIMENSIONS ARE IN INCHES.  
TOLERANCES:  
FRACTIONAL: ±1/16"  
ANGULAR: MACH ±1° / BEND ±2°  
TWO PLACE DECIMAL: ±.01  
THREE PLACE DECIMAL: ±.005  
GEOMETRIC TOLERANCING PER  
ASME Y14.5M - 1994

TITLE:	
24" OD X 16" VERT SS, VH, HINGED LID	
LVC2416-3312-VH	
DWG. NO.	REV
92280-M	A
SCALE: 1:12	SHEET 1 OF 2

8 7 6 5 4 3 2 1