

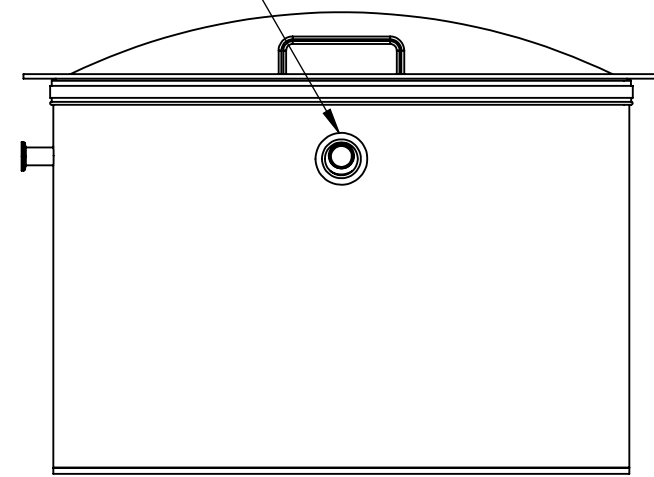
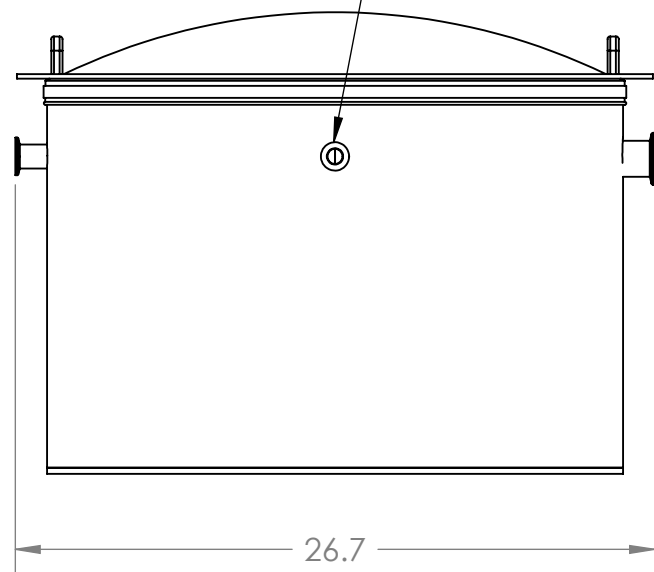
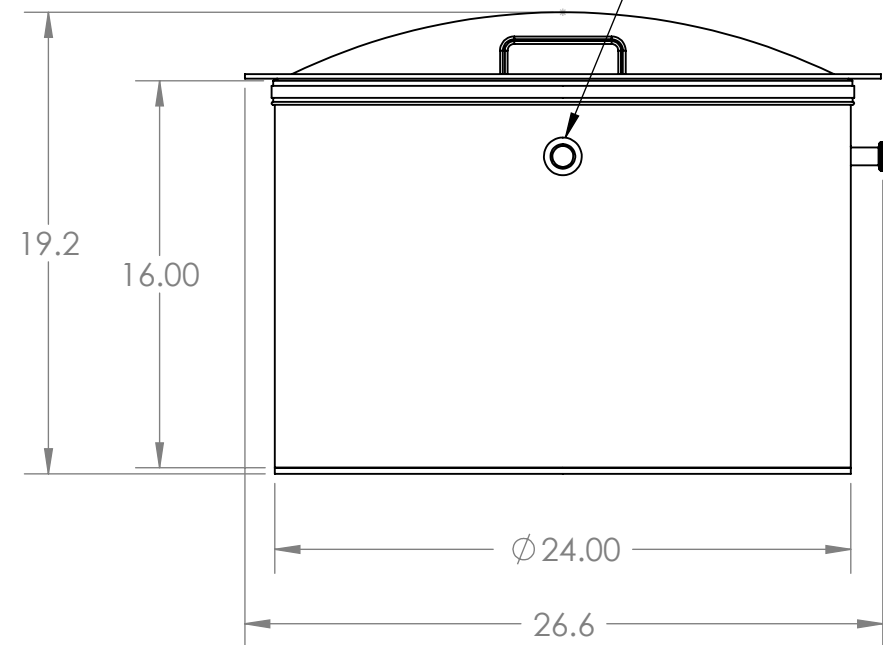
Ø 26.50

STAINLESS STEEL BODY & LID

NW25 VENT PORT

NW16 VACUUM GAUGE

NW40 VACUUM PORT



PROPRIETARY AND CONFIDENTIAL
 THE INFORMATION CONTAINED IN THIS DRAWING IS THE SOLE PROPERTY OF LACO TECHNOLOGIES, INC. ANY REPRODUCTION IN PART OR AS A WHOLE WITHOUT THE WRITTEN PERMISSION OF LACO TECHNOLOGIES, INC., IS PROHIBITED.

	NAME	DATE
DRAWN	CSG	02/17/09
DESIGNED	CSG	02/17/09
CHECKED	MEC	02/17/09
ENG APPR.	MEC	02/17/09

UNLESS OTHERWISE SPECIFIED:
 DIMENSIONS ARE IN INCHES.
 TOLERANCES:
 FRACTIONAL: ±1/16"
 ANGULAR: MACH ±1° / BEND ±2°
 TWO PLACE DECIMAL: ±.01
 THREE PLACE DECIMAL: ±.005
 GEOMETRIC TOLERANCING PER ASME Y14.5M - 1994

TITLE:	
24" OD X 16" VERT SS, VH SERIES LVC2416-3311-VH	
DWG. NO.	REV
93323-M	A
SCALE: 1:8	SHEET 1 OF 2