

Welch® Dry Vacuum**Oil-Free Technology Ideally Suited for OEM Instrumentation****Model 2561**

- 25 L/min Pumping Speed at 10 Torr
- Continuous oil-free pumping
- Compact/Small footprint
- Easy maintenance
- OEM Design
- Cost effective
- Quiet

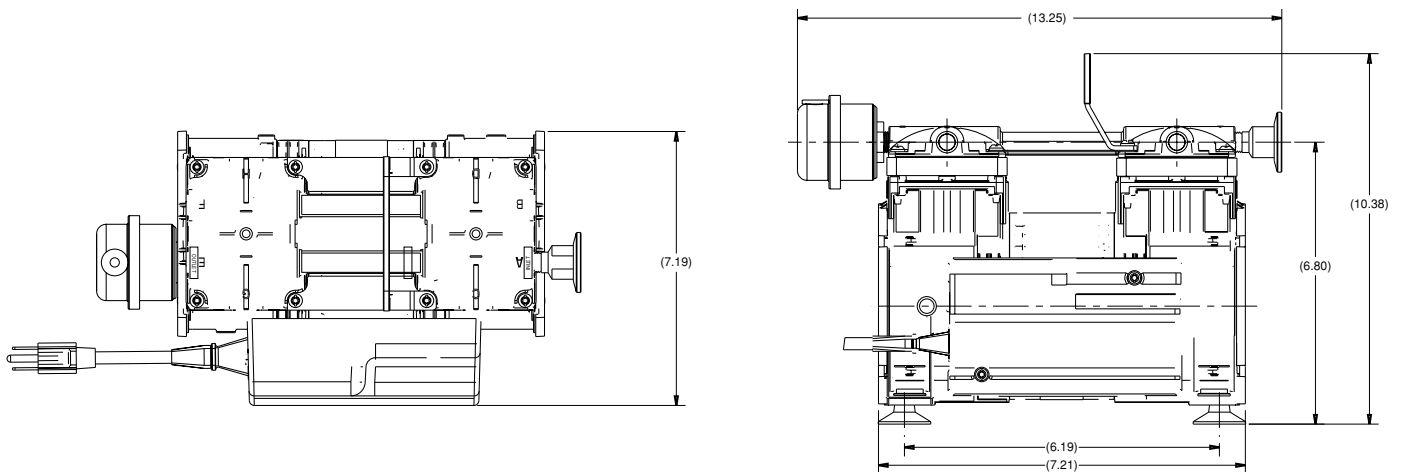
Welch's Wob-L® piston pump **Model 2561** has a free air displacement of 60 L/min and an ultimate pressure of <4 Torr. This high performance pump delivers **25 L/min pumping speed at 10 Torr working pressure**. Simplicity is the key to the economical aluminum design. As the piston wobbles, air resistance on the upward stroke expands the PTFE seal on the piston to increase its efficiency while compensating for the wobble action.

Model 2561 is ideally suited for backing hybrid turbo and molecular drag pumps. Its pumping speed curve is shaped like that of an oil-seal rotary vane pump. This key feature makes the 2561 an economical, oil-free solution for replacing oil-seal rotary vane pumps of similar size. Highly recommended for standard duty laboratory applications, general vacuum work and where quick roughing of a chamber is needed. This pump can handle trace amounts O₃, N₀x and S₀x.

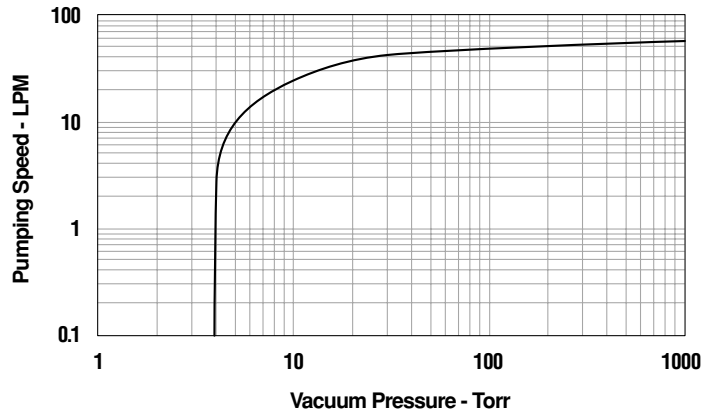
Preliminary Specifications Model 2561

Welch Model	2561
Free Air Displacement, L/min @ 60Hz	60
Ultimate Pressure, Torr	4
Mechanism	Wob-L® Piston
Motor HP	1/3
Motor type	IP20
Tubing Needed ID inches	3/8
Weight, lbs.	16.5
Overall Dimensions (LxWxH) inches	13.3 x 7.2 x 10.4
Catalog Number	
115V, 60Hz, 1Ph, 3.3A, with NW25 Flange	2561B-24
230V, 50/60Hz, 1Ph, 1.3/1.3A, with NW25 Flange	2561C-24

1. 60 Hz units UL listed, 50 Hz units come with CE mark.



**Pumping Speed for 2561
60 Hz**



For more information, see the Welch® Web Catalog at:
www.welchvacuum.com

**Welch
vacuum**

A Thomas Industries Company

Welch Vacuum, Thomas Industries Inc.
7300 N. Linder Ave., Skokie, IL 60077
Phone: (847) 676-8800 Ext. 1 Fax: (847) 677-8606
Email: welchvacuum@thomasind.com

