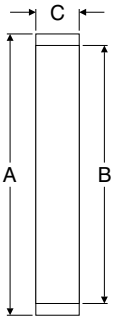
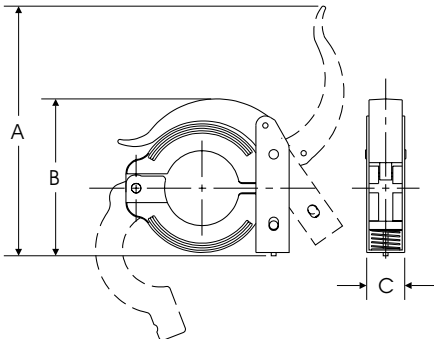
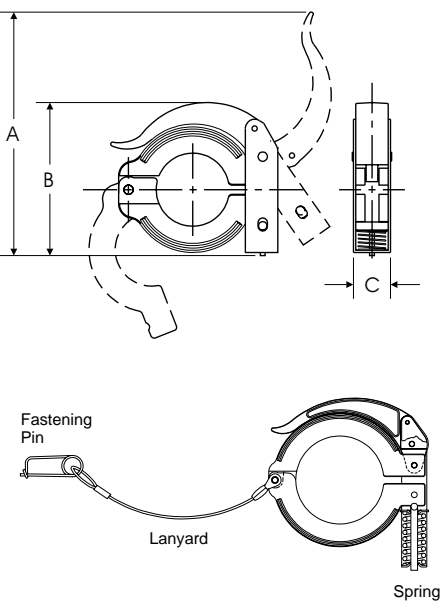


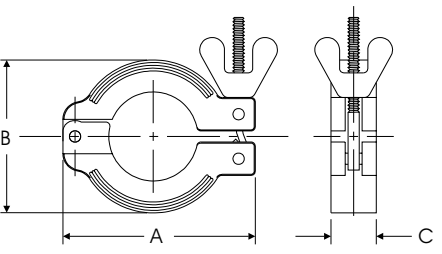
Rings, Overpressure						in/(mm)	
 <p> <ul style="list-style-type: none"> Stainless Steel Fit over OD of O-Ring See page 4 for installation Use to retain O-ring when system is used at internal pressures over atmospheric </p>	Flange Size (ISO)	Max. Pressure	A	B	C	Part Number	Price
	NW 10	100 PSIG	1.25 (31)	1.09 (28)	0.14 (4)	100316300	
	NW 16	100 PSIG	1.25 (31)	1.19 (30)	0.35 (9)	100316301	
	NW 25	100 PSIG	1.66 (42)	1.58 (40)	0.35 (9)	100316303	
	NW 40	75 PSIG	2.25 (57)	2.17 (55)	0.35 (9)	100316305	
	NW 50	50 PSIG	2.75 (70)	2.66 (68)	0.14 (4)	100316306	

Clamps, Toggle						in/(mm)	
 <p> <ul style="list-style-type: none"> Aluminum Quick operating Positive locking method Self-Adjusting Cannot be overtightened </p>	Flange Size (ISO)	Fits Sizes	A	B	C	Part Number	Price
	NW 16	16/10	4.05 (103)	2.50 (64)	0.75 (19)	100318801	
	NW 25	25/20	4.31 (109)	2.96 (75)	0.75 (19)	100318803	
	NW 40	40/32	4.87 (124)	3.29 (84)	0.75 (19)	100318805	
	NW 50	50	6.34 (161)	4.73 (120)	0.89 (23)	100318806	

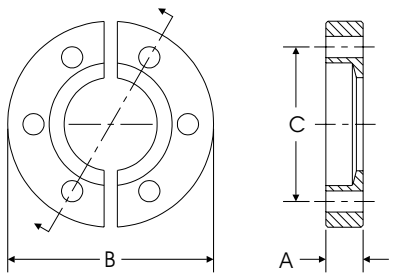


Clamps, Toggle with Lanyard						in/(mm)	
	Flange Size (ISO)	Fits Sizes	A	B	C	Part Number	Price
	NW 16	16/10	4.05 (103)	2.50 (64)	0.75 (19)	100318801-L	
	NW 25	25/20	4.31 (109)	2.96 (75)	0.75 (19)	100318803-L	
	NW 40	40/32	4.87 (124)	3.29 (84)	0.75 (19)	100318805-L	
	NW 50	50	6.34 (161)	4.73 (120)	0.89 (23)	100318806-L	

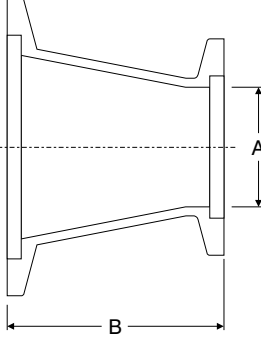
- Aluminum
- Fastening pin on lanyard prevents accidental opening and pin loss
- Positive locking method
- Self-Adjusting
- Heavy duty spring supports the full range of production tolerance variables

Clamps, Wing Nut						in/(mm)	
	Flange Size (ISO)	Fits Sizes	A	B	C	Part Number	Price
	NW 16	16/10	2.24 (57)	1.69 (43)	0.63 (16)	100312901	
	NW 25	25/20	2.76 (70)	2.17 (55)	0.63 (16)	100312903	
	NW 40	40/32	3.39 (86)	2.76 (70)	0.63 (16)	100312905	
	NW 50	50	4.33 (110)	3.70 (94)	0.79 (20)	100312906	

- Aluminum

Clamps, Bulkhead						in/(mm)	
 <ul style="list-style-type: none"> • Aluminum • Adapts to a baseplate or fixed flange • Standard KF seal assembly • Stainless Steel bolts and washers included, 10-32X$\frac{5}{8}$" 	Flange Size (ISO)	Number of Bolts	A	B	C	Part Number	Price
	NW 16	6	0.36 (9)	2.00 (51)	1.50 (38)	100318901	
	NW 25	6	0.39 (10)	2.38 (60)	1.89 (48)	100318903	
	NW 40	6	0.37 (9)	2.94 (75)	2.44 (62)	100318905	
	NW 50	8	0.40 (10)	3.75 (95)	3.25 (83)	100318906	

Clamps, Chain							
<ul style="list-style-type: none"> • For use with KF 80 and 100 flanges • Aluminum 	Flange Size					Part Number	Price
	NW 80					100993460	
	NW 100					100994717	

Conical Reducers, Stainless Steel						in/(mm)	
 <ul style="list-style-type: none"> • Mates differing ISO-KF sizes 	Flange Size (ISO)	Flange Size (ISO)	A	B		Part Number	Price
	NW 16	NW 25	0.62 (16)	1.57 (40)		100313711	
	NW 16	NW 40	0.62 (16)	1.57 (40)		100313712	
	NW 16	NW 50	0.62 (16)	1.57 (40)		100313713	
	NW 25	NW 40	0.87 (22)	1.57 (40)		100313714	
	NW 25	NW 50	0.87 (22)	1.57 (40)		100313715	
	NW 40	NW 50	1.34 (34)	1.57 (40)		100313716	

