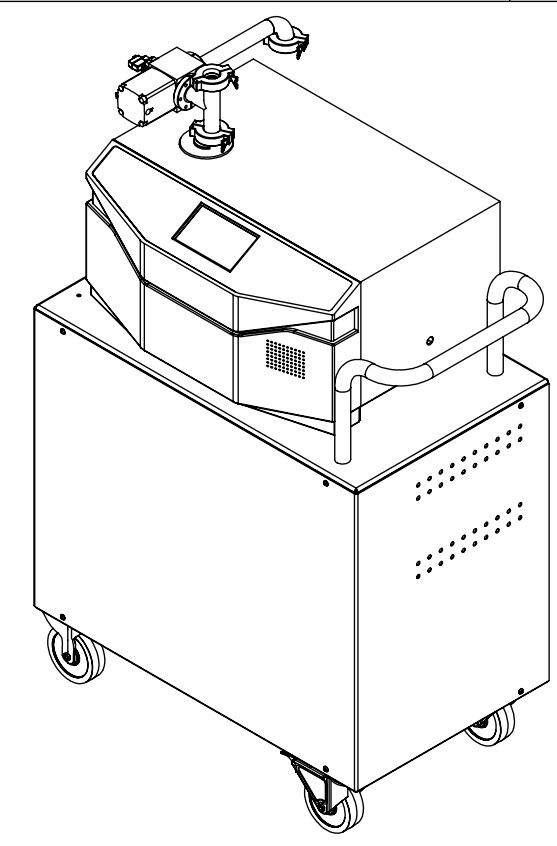
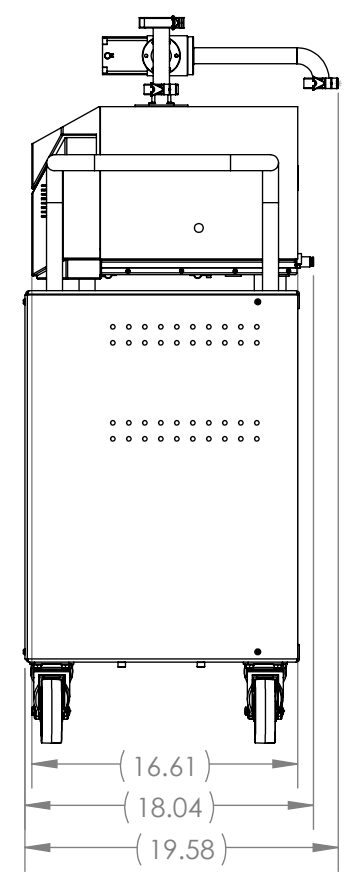
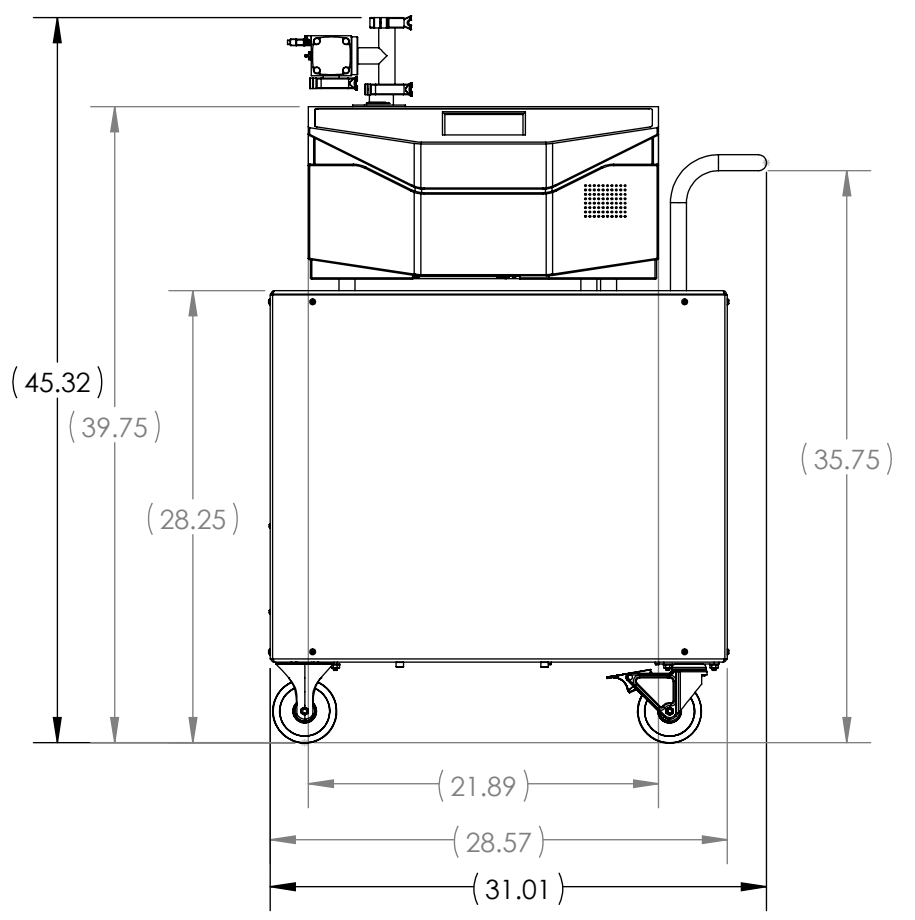


REV.	LCO No.	DESCRIPTION	DATE	APPROVED
A	---	INITIAL RELEASE	-----	---

D  
C  
B  
A



D  
C  
B  
A



UNLESS OTHERWISE SPECIFIED:  
DIMENSIONS ARE IN INCHES.  
TOLERANCES:  
FRACTIONAL: ±1/16"  
ANGULAR: MACH ±1° / BEND ±2°  
TWO PLACE DECIMAL: ±.01  
THREE PLACE DECIMAL: ±.005  
GEOMETRIC TOLERANCING PER  
ASME Y14.5M - 2009

PROPRIETARY AND CONFIDENTIAL  
THE INFORMATION CONTAINED IN THIS  
DRAWING IS THE SOLE PROPERTY OF LACO  
TECHNOLOGIES, INC. ANY  
REPRODUCTION IN PART OR AS A WHOLE  
WITHOUT THE WRITTEN PERMISSION OF  
LACO TECHNOLOGIES, INC., IS PROHIBITED.

	NAME	DATE
DRAWN BY		
APPROVED BY		
DWG. NO.	102609	REV A
SCALE: 1:12	SIZE: B	SHEET 1 OF 1